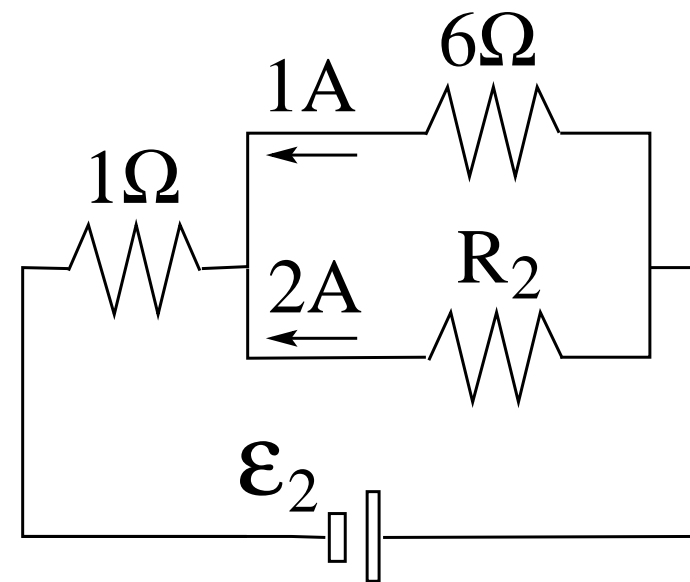
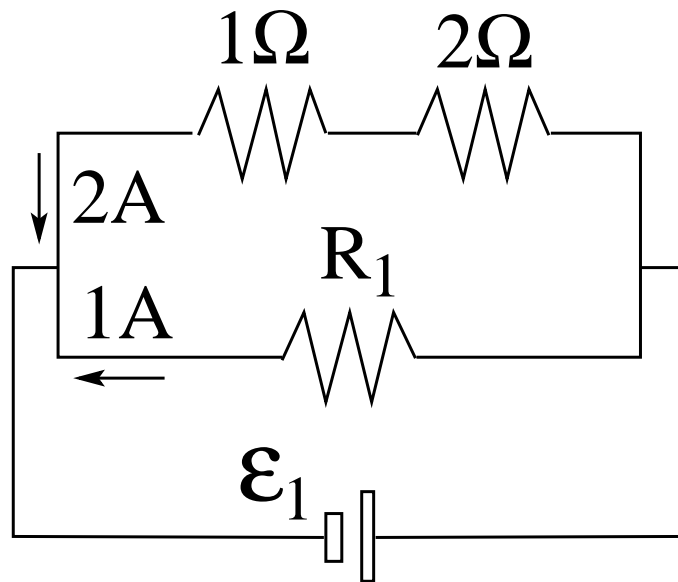


Resistor Circuit (1)



Consider the two resistor circuits shown.

- (a) Find the resistance R_1 .
- (b) Find the emf \mathcal{E}_1 .
- (c) Find the resistance R_2 .
- (d) Find the emf \mathcal{E}_2 .

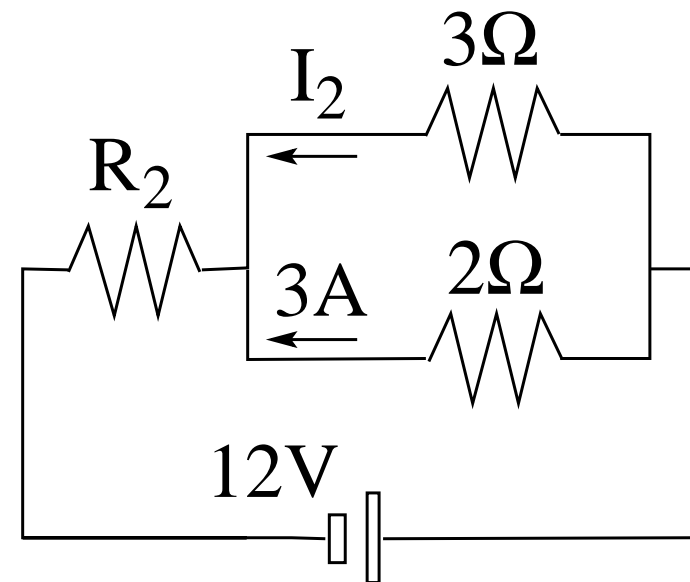
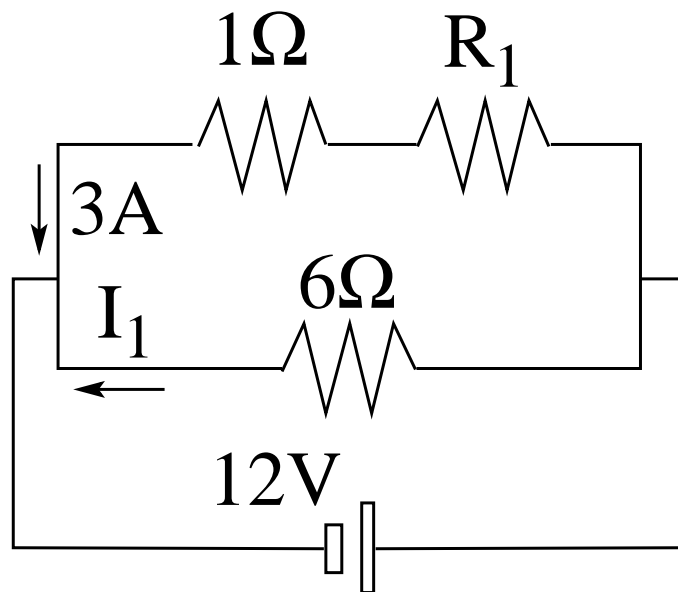


Resistor Circuit (2)



Consider the two resistor circuits shown.

- (a) Find the resistance R_1 .
- (b) Find the current I_1 .
- (c) Find the resistance R_2 .
- (d) Find the current I_2 .

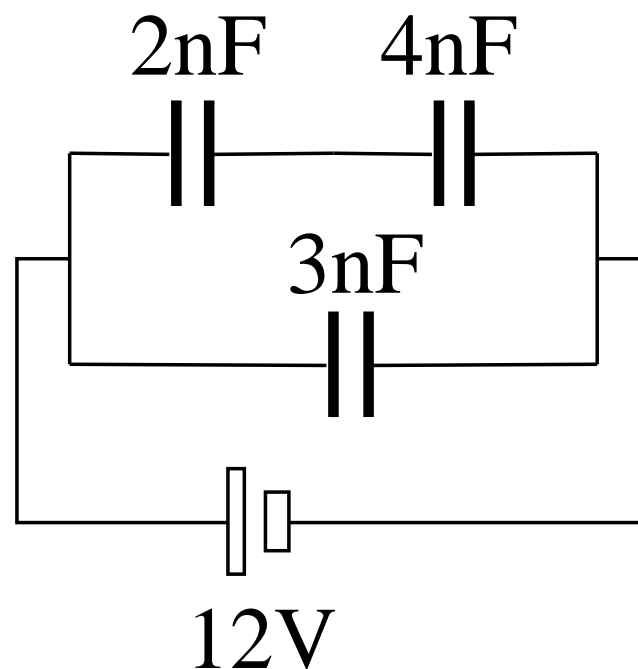
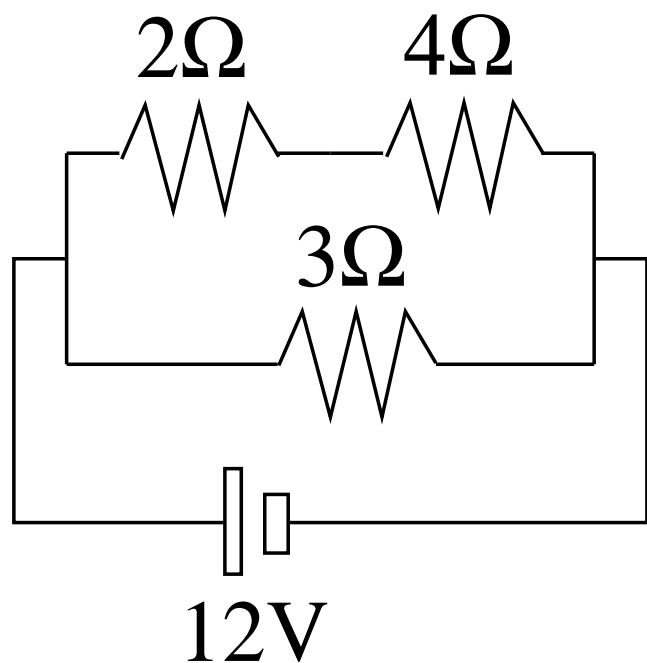


Resistor Circuit (3)



Consider the resistor and capacitor circuits shown.

- (a) Find the equivalent resistance R_{eq} .
- (b) Find the power P_2, P_3, P_4 dissipated in each resistor.
- (c) Find the equivalent capacitance C_{eq} .
- (d) Find the energy U_2, U_3, U_4 stored in each capacitor.

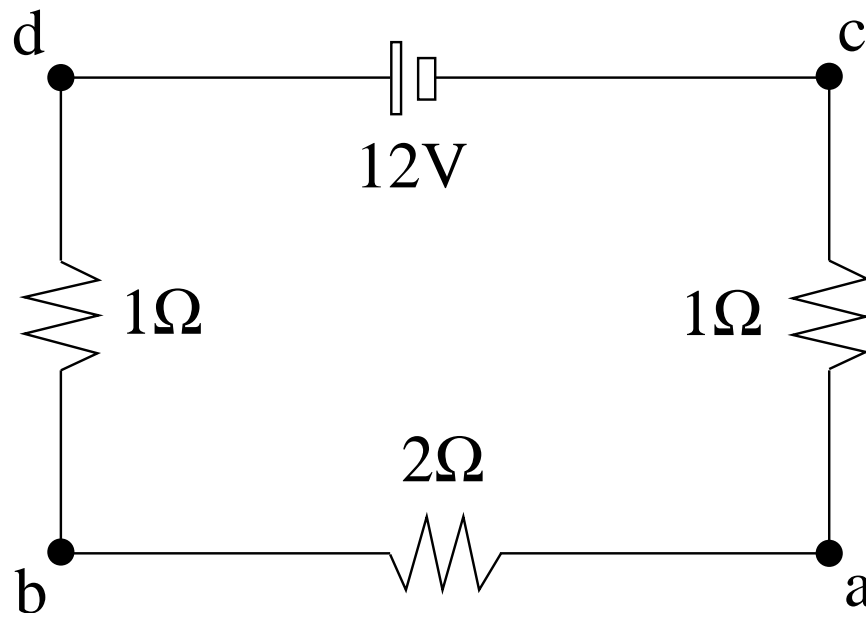


Resistor Circuit (4)



Consider the resistor circuit shown.

- (a) Find the direction of the current I (cw/ccw).
- (b) Find the magnitude of the current I .
- (c) Find the voltage $V_{ab} = V_b - V_a$.
- (d) Find the voltage $V_{cd} = V_d - V_c$.

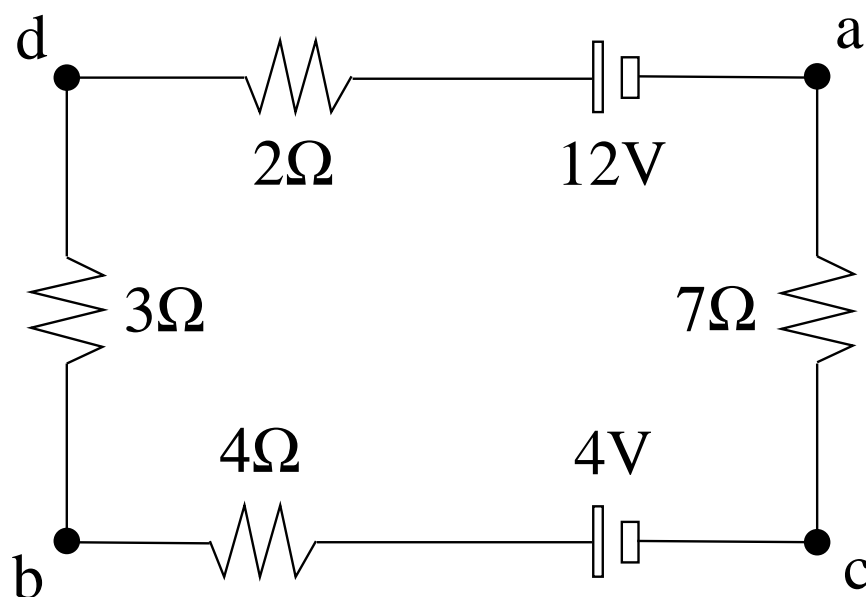


Resistor Circuit (5)



Consider the resistor circuit shown.

- (a) Find the direction (cw/ccw) of the current I in the loop.
- (b) Find the magnitude of the current I in the loop.
- (c) Find the potential difference $V_{ab} = V_b - V_a$.
- (d) Find the voltage $V_{cd} = V_d - V_c$.

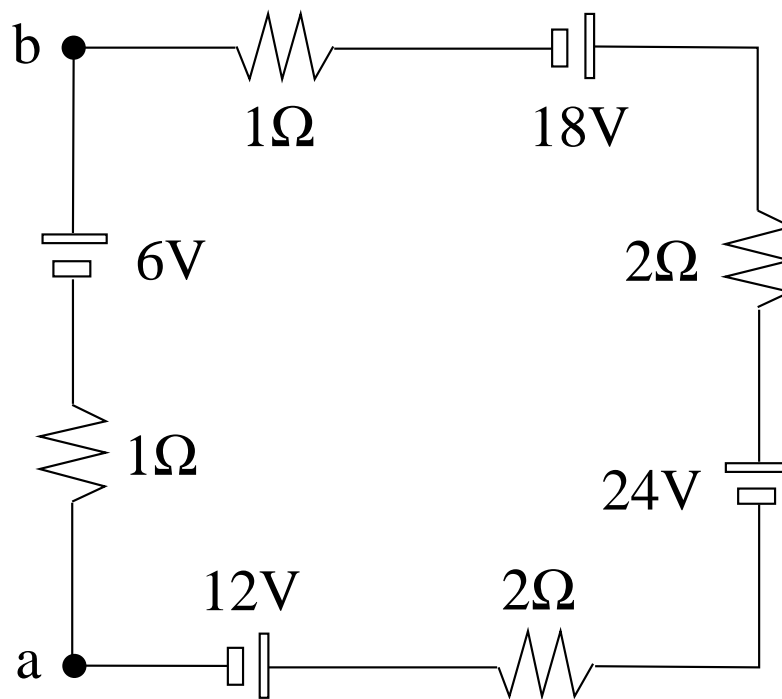


Resistor Circuit (6)



Consider the resistor circuit shown.

- (a) Guess the current direction (cw/ccw).
- (b) Use the loop rule to determine the current.
- (c) Find $V_{ab} \equiv V_b - V_a$ along two different paths.

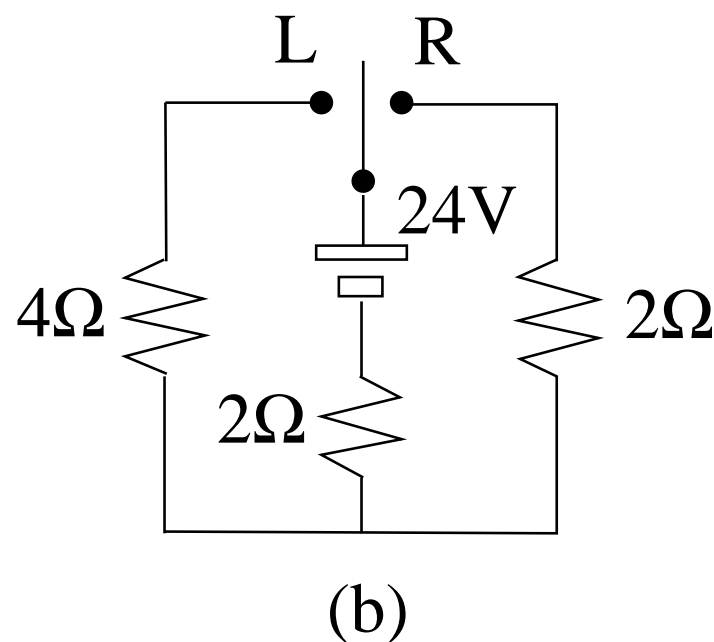
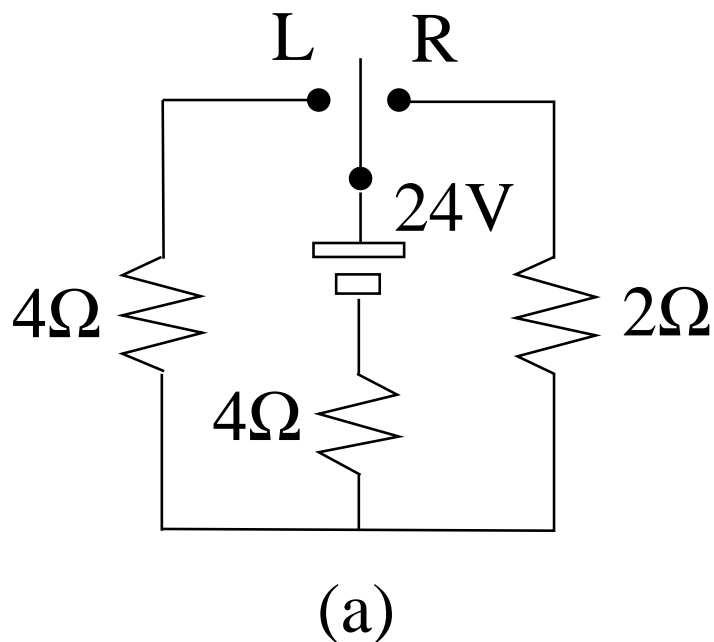


Resistor Circuit (7)



Consider two 24V batteries with internal resistances (a) $r = 4\Omega$, (b) $r = 2\Omega$.

- Which setting of the switch (L/R) produces the larger power dissipation in the resistor on the side?



Resistor Circuit (8)



Consider the circuit of resistors shown.

- Find the equivalent resistance R_{eq} .
- Find the currents I_1, \dots, I_5 through each resistor and the voltages V_1, \dots, V_5 across each resistor.
- Find the total power P dissipated in the circuit.

