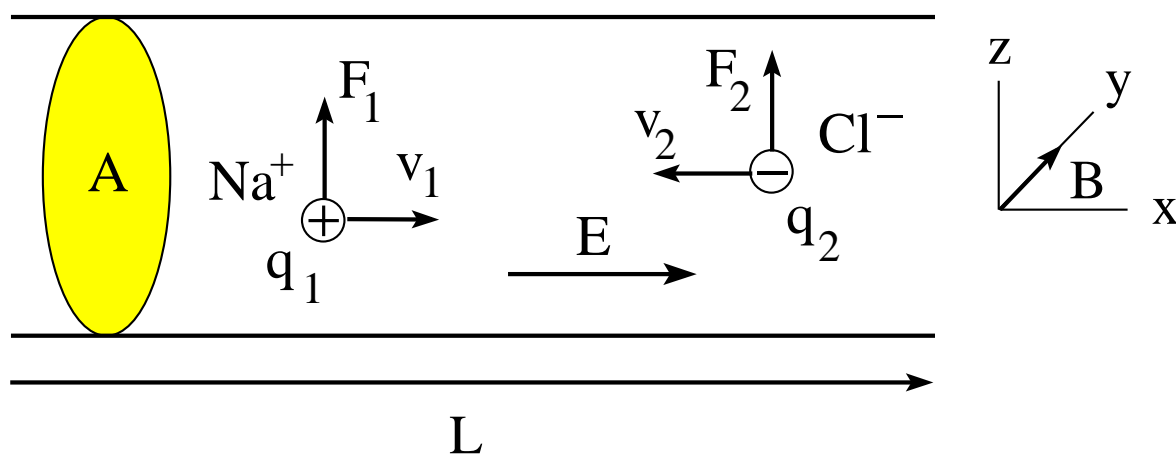


Magnetic Force on Current-Carrying Conductor



Consider drift of Na^+ and Cl^- ions in a plastic pipe filled with salt water.

- $v_{1x} > 0$, $v_{2x} < 0$: drift velocities; $q_1 > 0$, $q_2 < 0$: charge on ions
- n_1 , n_2 : number of charge carriers per unit volume



- Electric current through A : $I = A(n_1q_1v_{1x} + n_2q_2v_{2x})$
- Force on Na^+ : $\vec{F}_1 = q_1\vec{v}_1 \times \vec{B} \Rightarrow F_{1z} = q_1v_{1x}B_y$
- Force on Cl^- : $\vec{F}_2 = q_2\vec{v}_2 \times \vec{B} \Rightarrow F_{2z} = q_2v_{2x}B_y$
- Force on current-carrying pipe: $F_z = (n_1q_1v_{1x} + n_2q_2v_{2x})ALB_y = ILB_y$
- Vector relation: $\vec{F} = I\vec{L} \times \vec{B}$