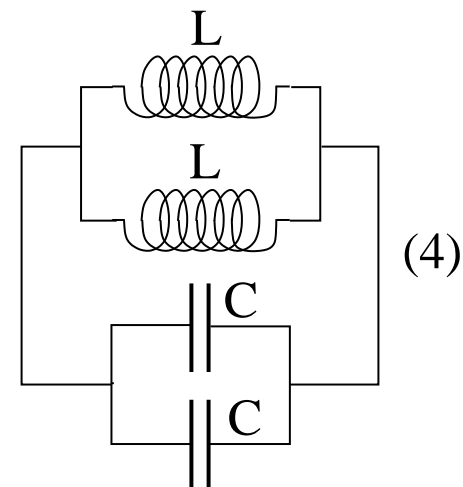
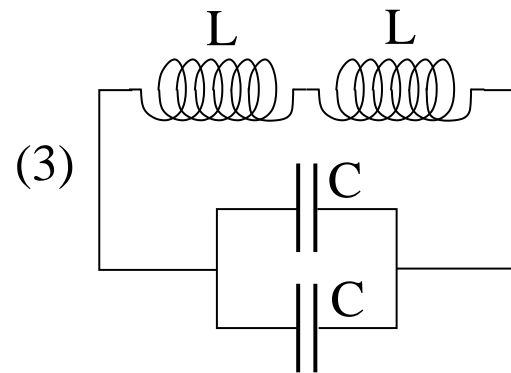
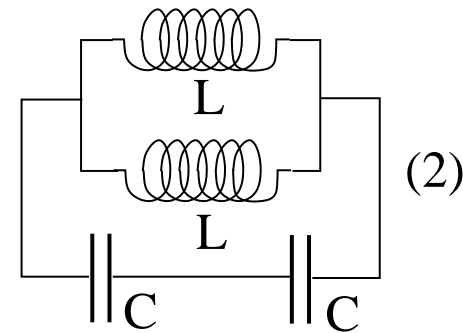
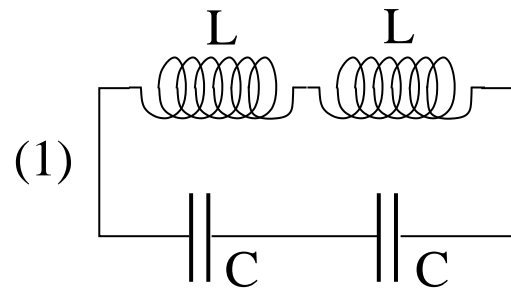


LC Circuit: Application (1)



Name the LC circuit with the highest and the lowest angular frequency of oscillation.

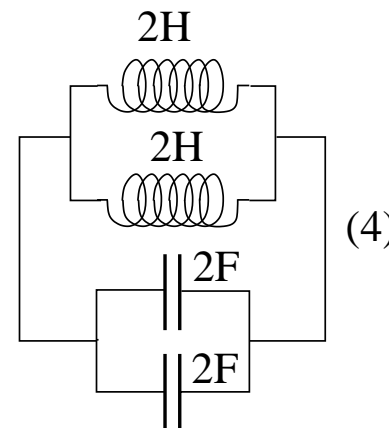
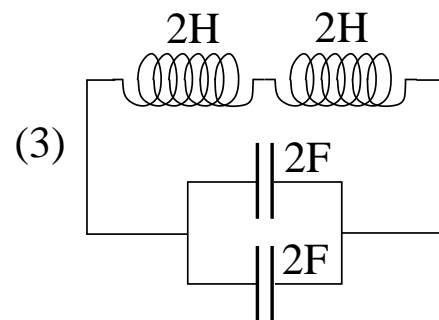
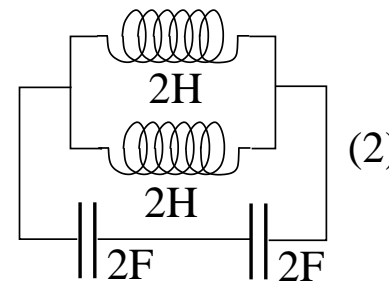
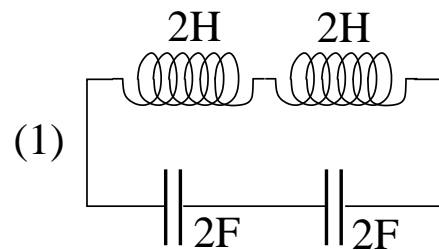


LC Circuit: Application (2)



At time $t = 0$ a charge $Q = 2C$ is on each capacitor and all currents are zero.

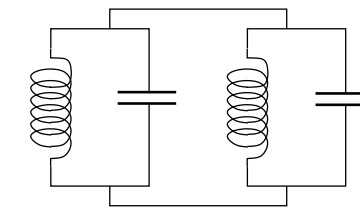
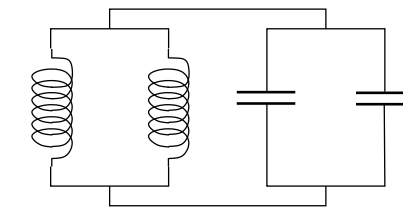
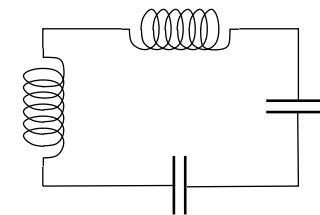
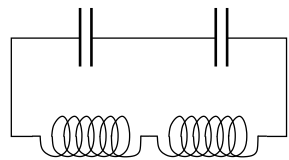
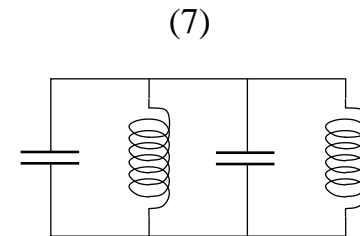
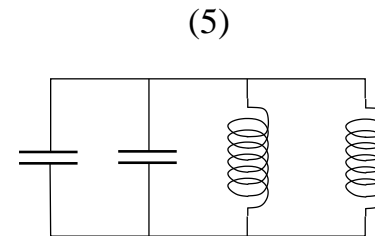
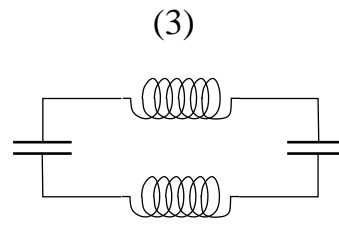
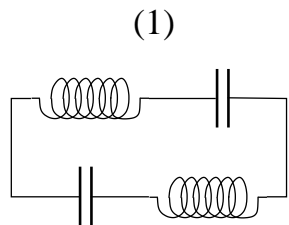
- (a) What is the energy stored in the circuit?
- (b) At what time t_1 are the capacitors discharged for the first time?
- (c) What is the current through each inductor at time t_1 ?



LC Circuit: Application (3)



In these LC circuits all capacitors have equal capacitance C and all inductors have equal inductance L . Sort the circuits into groups that are equivalent.



(2)

(4)

(6)

(8)